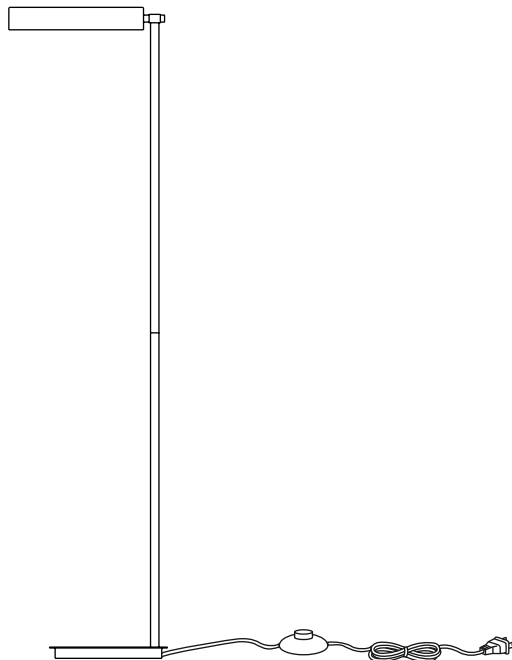


# WORLD MARKET®

## Assembly Instructions

REMI BRASS FLOOR TASK LAMP

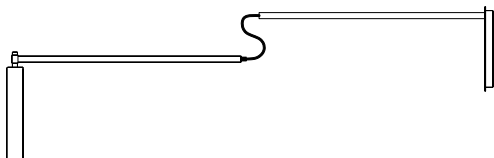
SKU-634746



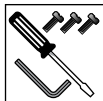
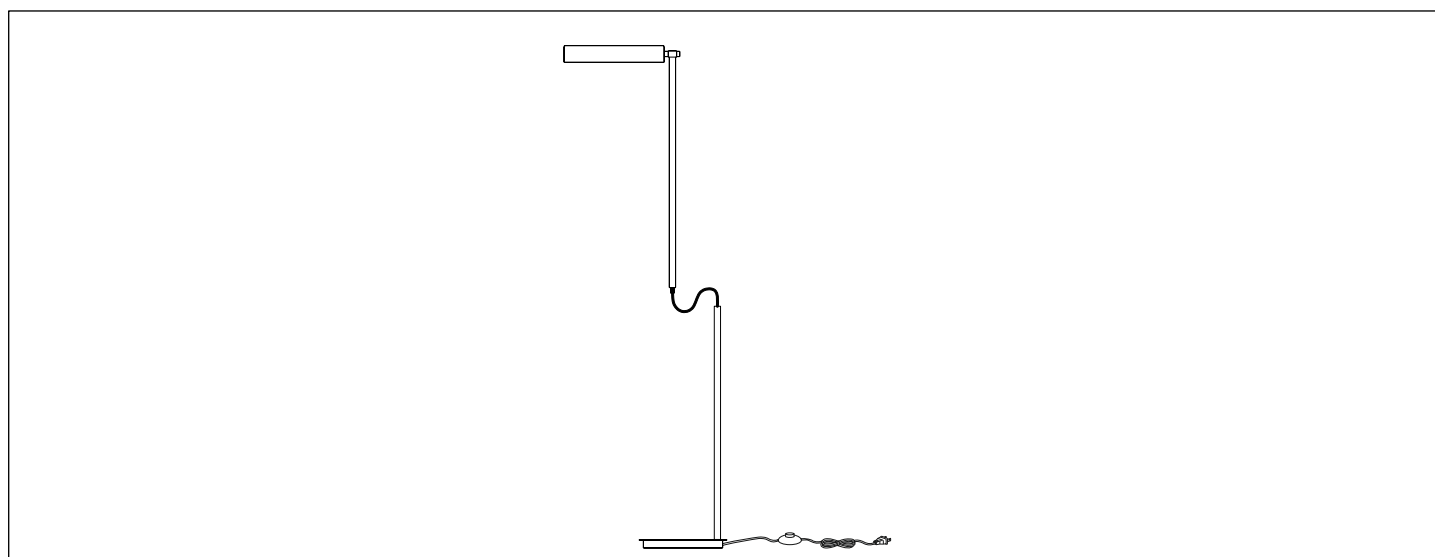
Thank you for your purchase. If you have any questions pertaining to the assembly of this lighting piece, please contact the nearest World Market store. If you are not near a store, please call our customer service call center toll free at 877-967-5362 for assistance.

ALL PRODUCTS SOLD AT WORLD MARKET ARE NOT  
FOR COMMERCIAL USE AND ARE INTENDED FOR  
RESIDENTIAL USE ONLY.

# Component List

LABEL	COMPONENT	DESCRIPTION	QTY
A		LAMP BASE	1

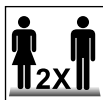
## Assembly Preparation



Unpack all hardware bags and components to ensure you have all parts. Take note of bolt hardware size differences and components that may have directional labels (Example: TOP or FRONT).



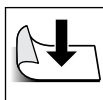
Read the assembly instructions, cover-to-cover. Save any **Care and Maintenance** instructions Pages for after the assembly has been completed.



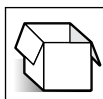
It is always recommended to have 2 adults on hand for assembly.



Do not assemble on hard, abrasive flooring or carpeted surfaces that can damage or get caught in the components during assembly.



Assemble on a clean non-marring surface (such as the product's packing foam).



Do not discard any packaging until the product has been fully assembled.

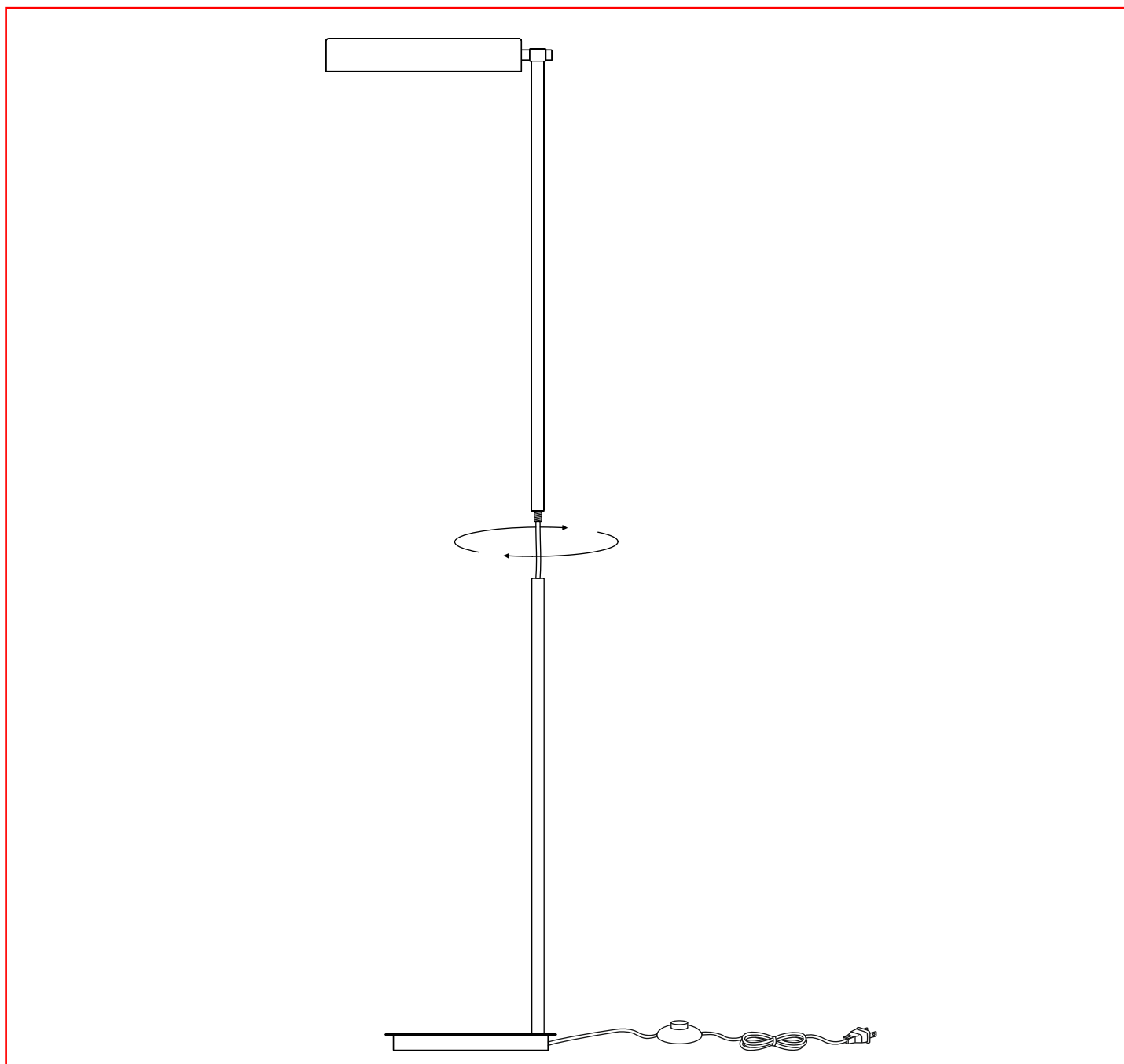


In case of missing parts, please contact your nearest World Market store or call our customer service call center at 1-877-967-5362.



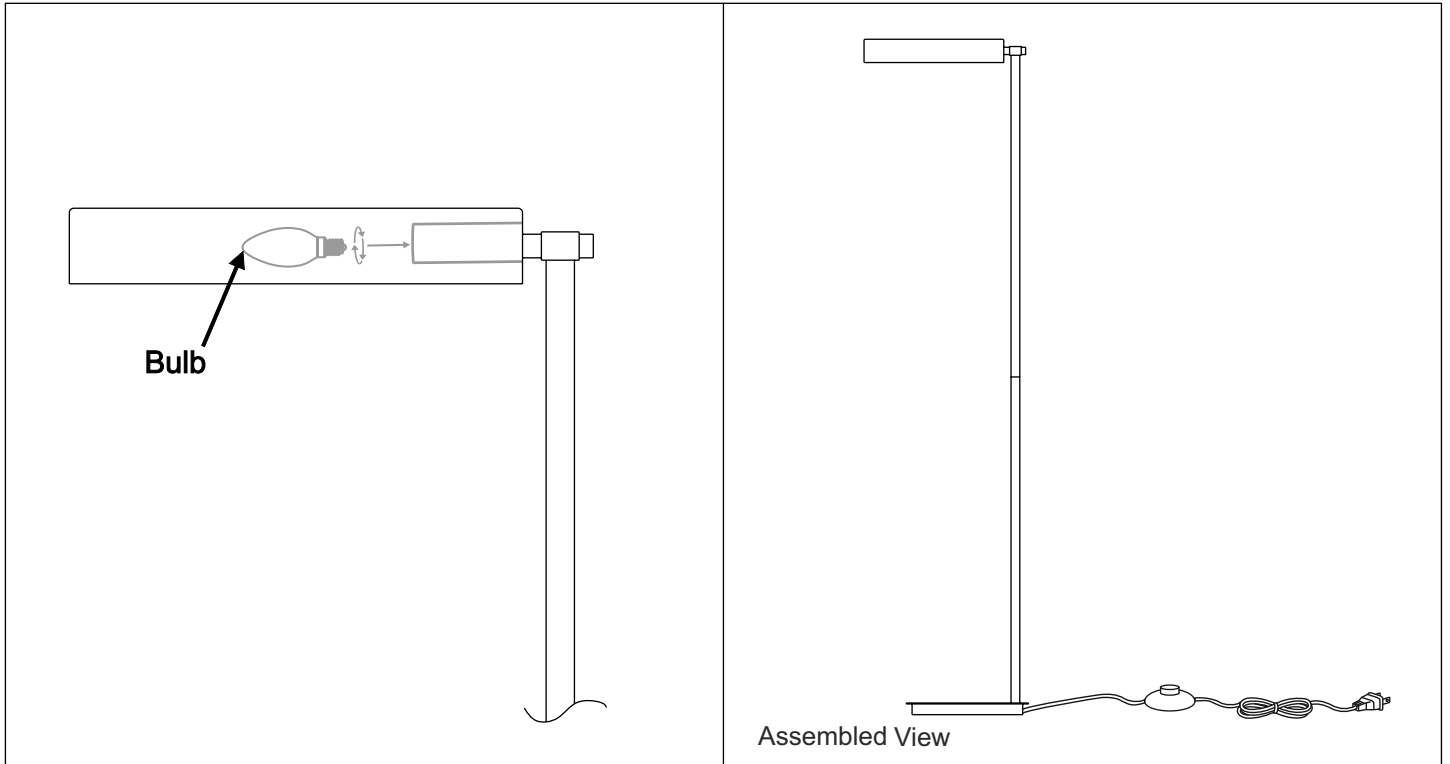
**WARNING:** Small parts are a choking hazard. Adult supervision is required before, during, and after assembly.

## Assembly Step



Align stem section on top of each other and rotate upper section clockwise to secure.

## Bulb Installation



Insert Bulbs (not included) into the socket and rotate it in clockwise to secure. Restore power to the circuit at this time and check for proper lighting operation. Assembly is now complete and the product is ready for use.

## Warnings



All products sold at World Market are not for commercial use and are intended for residential use only.



To prevent the risk of fire, **DO NOT** use light bulbs with wattage greater than 25 Watt and 5 watt LED. Use Type B Bulb for this product. Bulbs sold separately.



Never turn on power to the lamp until light bulb has been installed and assembly is completed.

## Care & Maintenance



**DO NOT** clean chandelier with harsh cleansers or polish.



**DO NOT** place fixture outside. For **INDOOR USE ONLY**.



Fixture can be dusted using a clean, non-colored, lint-free dry cloth.